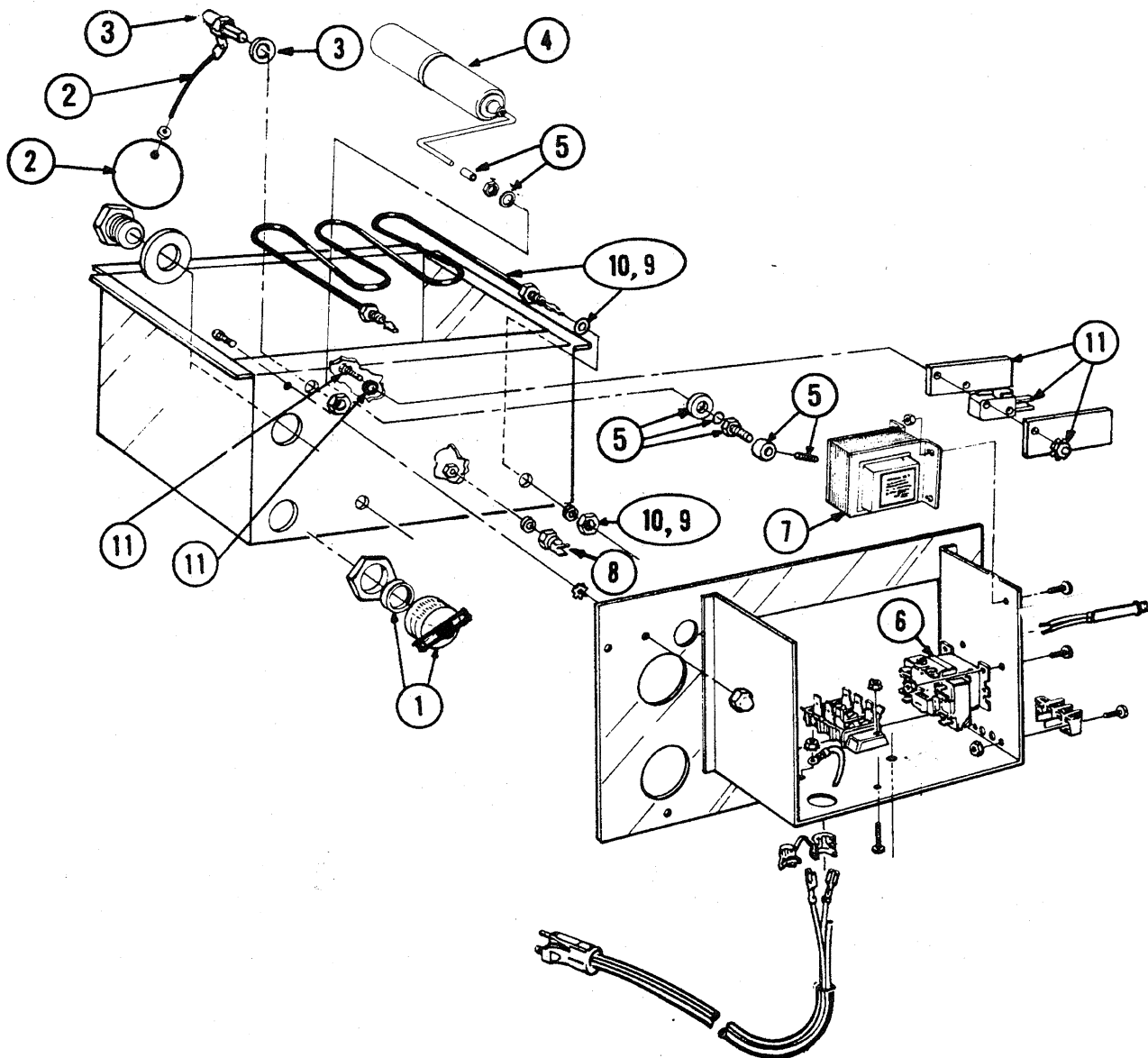


AutoFlo Model SU14 and SU20



<u>Item No.</u>	<u>Description</u>	<u>Part No.</u>
1	Drain Cap & Valve Assy	401943
2	Ball Float & Arm Assy	401494
	Consists of:	
	1 - Ball Float 1 - Arm	
3	Complete Ball Float & Valve Assy	1521
	Consists of:	
	1 - #2 - 40194-above 1 - Nut	
	1 - Valve 1 - Seal washer	
4	Low Level Float & Arm Assy	401944
	Consists of:	
	1 - Low level Float 1 - Arm	
5	Complete Low level Float Assy	401945
	Consists of:	
	1 - # 4 - 401944- above	
	1 - Nut 2 - Washers	
	1 - Panel Bearing 1 - O.Ring	
	1 - Shaft collar 1 - Set Screw	
6	24 Volt Relay Assy	1549
	Consists of:	
	1 - 24 volt Relay 2 - Screws	
7	120v/24v Transformer Assy	401946
7A	240v/24v Transformer Assy	401947
8	Water Temp/Fan Switch Assy	1581-1
9	Heater Assy - 120v/1400 W	401950
	Consists of:	
	1 - Heater 2 - Washers	
	2 - Nuts	
10	Heater Assy - 240v/ 2000 W	401951
	Consists of:	
	1 - Heater 2 - Washers	
	2 - Nuts	
11	Low Level Float Microswitch Assy	5503
	Consists of:	
	1 - Switch 2 - Insulators	
	2 - Bolts 2 - Washers	
	2 - Nuts	
12	Saddle Valve Assy *	015180A
13	Humidistat *	052000
14	Rubber Seal - Ball Valve *	10001

See Rear - * Not Pictured