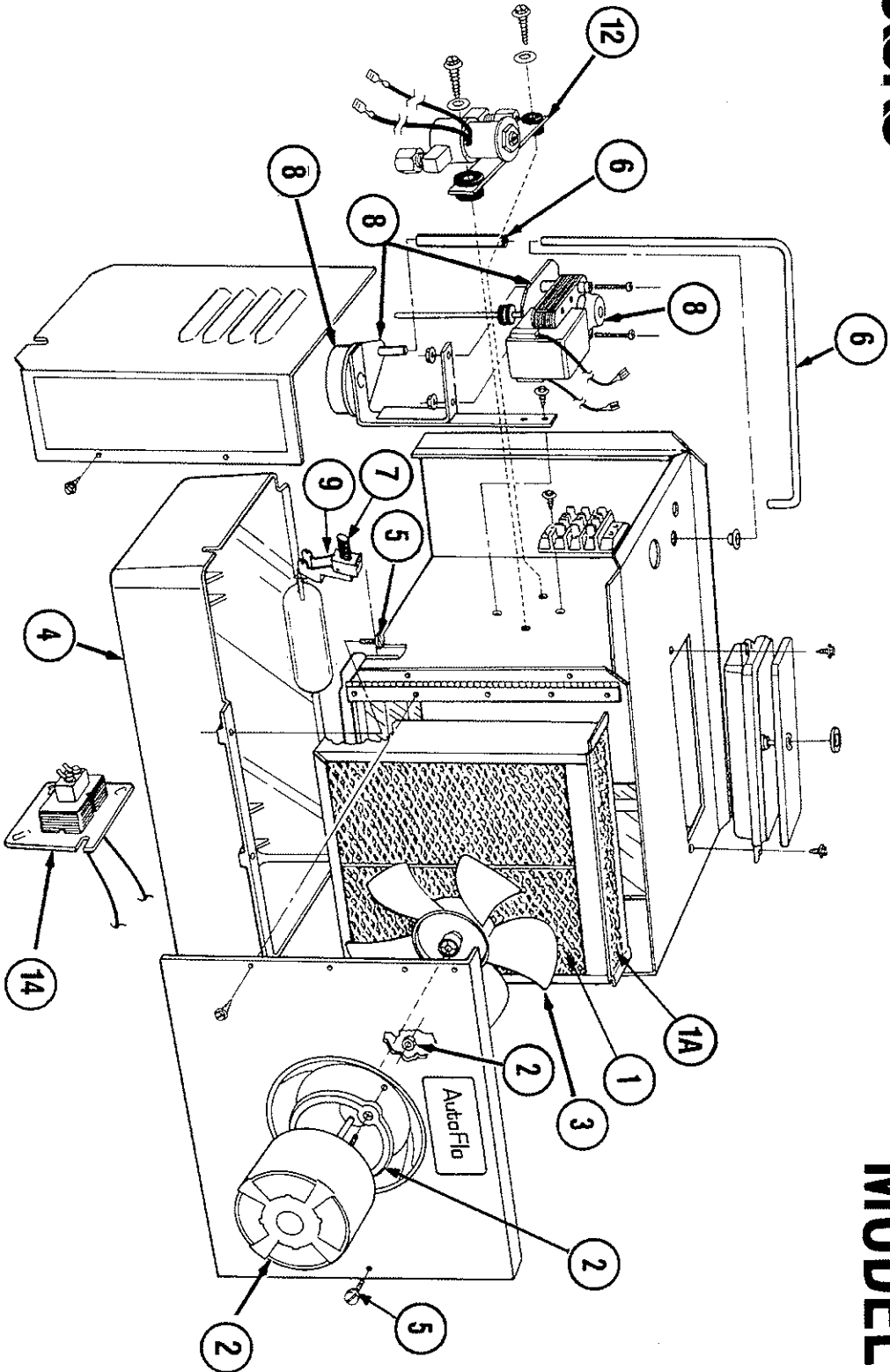


autoFlo®

MODEL 40



ALL VERSIONS

MODEL 40

Item#	Qty.	Description	Part #
1	1	Evaporative Pad Assy Consists of: 1 - Pad 1 - Frame	40EP
1A	1	Evaporative Pad Fan Motor Assembly	40PAD 40410
2	1	Consists of: 1 - Gasket 1 - Motor - 120 Volt 2 - Nuts	
3	1	Fan Blade	40460
4	1	Water Pan	40910
5	1	Door & Water Pan Hardware Consists of: 1 - Door Latch Hardware 2 - Water Pan Screws	401490

MODELS 40 & 40W

Item#	Qty.	Description	Part #
6	1	Water Line Assembly Consists of: 1 - Copper Water Line 1 - 3/8" Rubber Tubing	025170
7	1	Orifice Assembly Consists of: 1 - Orifice 1 - Lock Nut	010531
8	1	Complete Pump/ Motor Assembly Consists of: 1 - Motor - 120 Volt 1 - Splash Shield 1 - Slinger 2 - Nuts 2 - Bolts	040610
9	1	Complete Float/ Orifice Assembly Consists of: 1 - Float & Arm 1 - Crutch Tip 1 - Orifice Assembly Crutch Tip*	401972
10	1		401980

MODELS 40S & 40SW

Item#	Qty.	Description	Part #
11	1	Water Line Assembly* Consists of: 1 - 4" Copper Line 1 - Blue Orifice 1 - Nut & Sleeve	401491
12	1	Solenoid Assembly Consists of: 1 - Valve 1 - Screen 2 - Grommets 2 - Elbows	040260

MODELS 40W & 40SW

Item#	Qty.	Description	Part #
13	1	Relay*	040540
14	1	Transformer - 24V*	040560

*Not pictured